



YOU-Q



zorghulpmiddelen

www.max-vitaal.nl

Parts Luca XL



© 2022 Sunrise Medical HCM BV

All rights reserved.

The information provided herein may not be reproduced and/or published in any form, by print, photoprint, microfilm or any other means whatsoever (electronically or mechanically) without the prior written authorization of Sunrise Medical HCM BV.

The information provided is based on general data concerning the constructions known at the time of the publication of this manual. Sunrise Medical HCM BV executes a policy of continuous improvement and reserves the right to changes and modifications.

The information provided is valid for the product in its standard version. Sunrise Medical HCM BV cannot be held liable for possible damage resulting from specifications of the product deviating from the standard configuration.

The available information has been prepared with all possible diligence, but Sunrise Medical HCM BV cannot be held liable for possible errors in the information or the consequences thereof. Sunrise Medical HCM BV accepts no liability for loss resulting from work executed by third parties.

Names, trade names, etc. used by Sunrise Medical HCM BV may not, as per the legislation concerning the protection of trade names, be considered as being available.

2022-01

Use of the parts list

This document is meant as a reference book to be used to order parts for the wheelchair that is shown on the front cover.

This pricelist will replace all previous price list versions. We reserve the right to change price modifications and in corrections.

How to order

When ordering parts, please specify:

- Serial number (see the identification plate).
- Article number.
- Number of parts required.
- Description (in the relevant language).
- Dimensions (if applicable).

Remarks

- If a part does not have a position number, the part concerned cannot be purchased separately. The part concerned is part of the assembly shown. This assembly must be ordered as one piece; it must be replaced in its entirety.
- Boxed position numbers refer to the relevant drawing.
- All prices in this manual are in Euros.

Explanation of symbols

Old model, not available.

Current model, available.

Ordering Address

Please e-mail or fax your orders to your supplier.

All orders and agreements are subject to the most recently registered general terms and conditions of sales filed with the registry of the court of 's-Hertogenbosch on March 1st 2011 under number 20/2011. Terms of conditions other than those referred to above are not acceptable and hereby explicitly rejected.

Service technicians

Repairs may only be carried out by or under the supervision of trained and authorized service technicians. During the executions of the work, they are at all times fully responsible for the fulfillment of locally applicable safety guidelines and standards and for the accuracy and completeness of the work. Temporary employees and persons in training may only carry out repair and replacement work under the supervision.

Only ordered parts that are returned within one month from invoice date, undamaged and in the original packaging, can be credited.

Sunrise Medical HCM B.V.
Vossenbeemd 104
5705 CL Helmond
The Netherlands

T +31(0)492 59 38 88

F +31(0)492 53 79 31

customerservice@sunrisemedical.nl

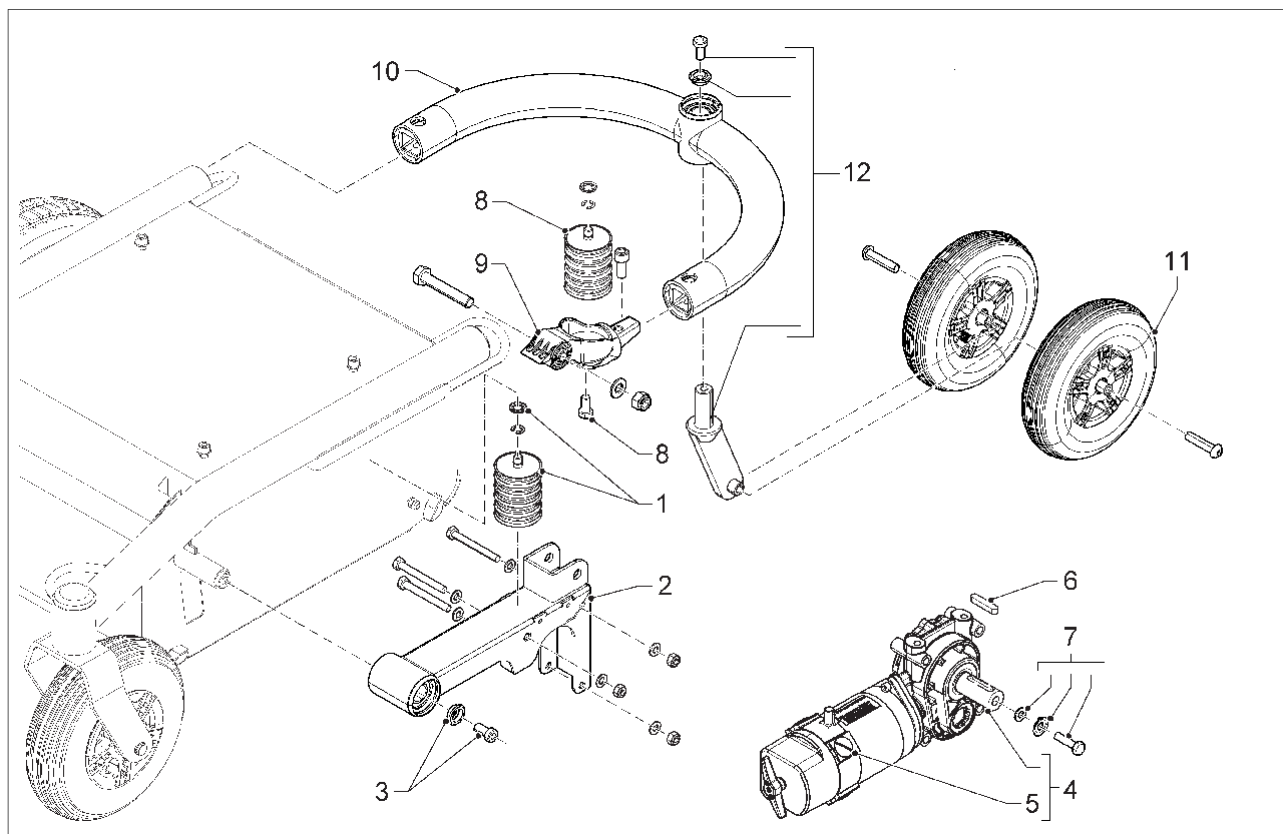
www.SunriseMedical.eu

TABLE OF CONTENTS

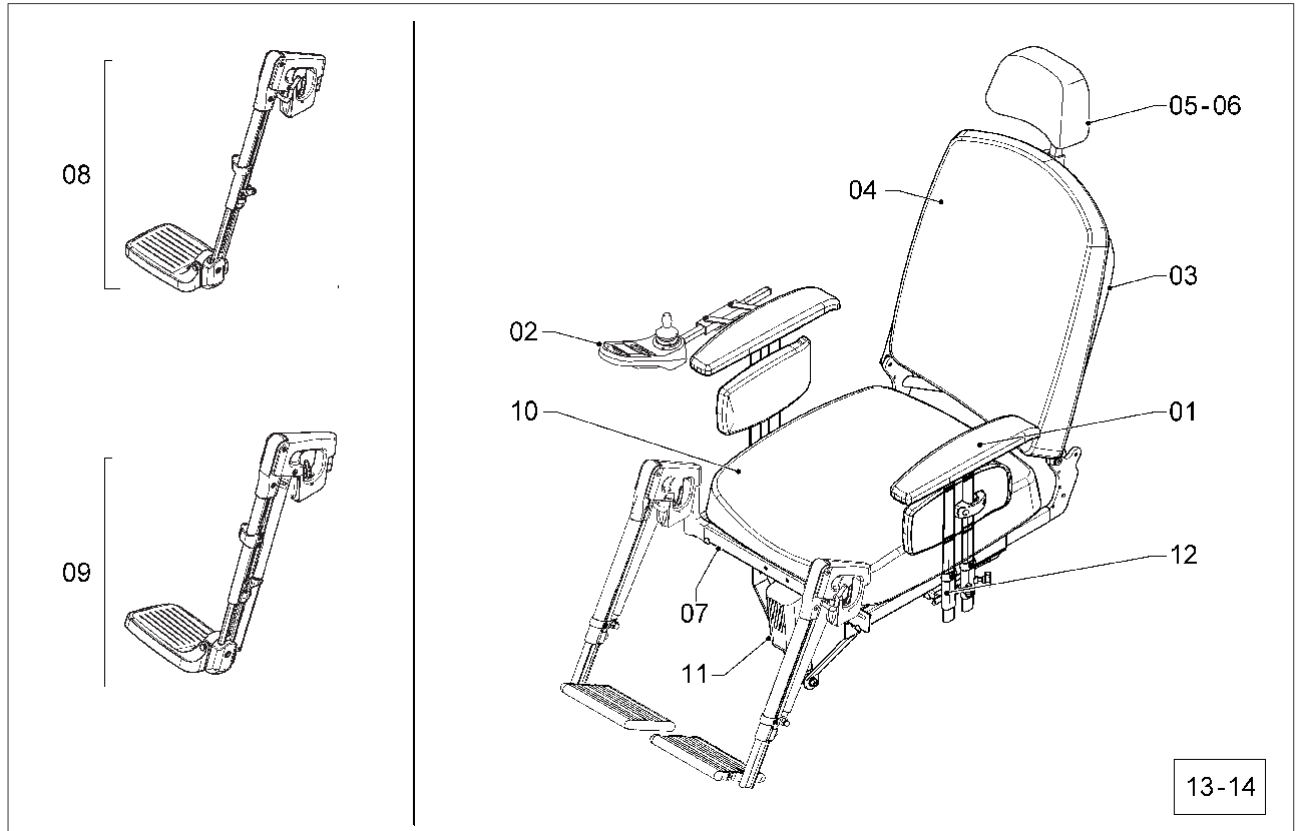


000-00-LucaXL	Wheel Chair Luca XL	7
001-00-LucaXL	Carrier	8
001-02-LucaXL	Motorarm, Motors, Anti-tip, Suspension (Midwheeler)	9
001-03-LucaXL	Drive Wheels	10
001-04-LucaXL	Castor Wheels	11
001-05-LucaXL	Covers	12
001-06-LucaXL	Batteries & Chargers	13
002-00-LucaXL	Qlass Seating Unit	14
002-01-LucaXL	Armrests	15
002-02-LucaXL	Joystick Bracket	16
002-03-LucaXL	Powered Backrest	17
002-04-LucaXL	Backrest, Mounting	18
002-05-LucaXL	Headrest - 01/02	19
002-06-LucaXL	Headrest - 02/02	20
002-07-LucaXL	Legrest Mounting	21
002-08-LucaXL	Legrest Comfort	22
002-09-LucaXL	Legrest Powered	23
002-10-LucaXL	Option (Seats)	24
002-11-LucaXL	Seating Powered system	25
002-12-LucaXL	Lights	26
002-13-LucaXL	Option (Mirror Mounting set)	27
002-14-LucaXL	Option (Crutchholder & Lap Strap)	28
005-00-LucaXL	Electronics	29
005-04-LucaXL	Cables And Modules Overview (R-Net)	30
005-14-LucaXL	Cables And Modules Scheme (R-Net) 1/2	32
005-15-LucaXL	Cables And Modules Overview (R-Net) 2/2	33
005-17-LucaXL	Direct access	34

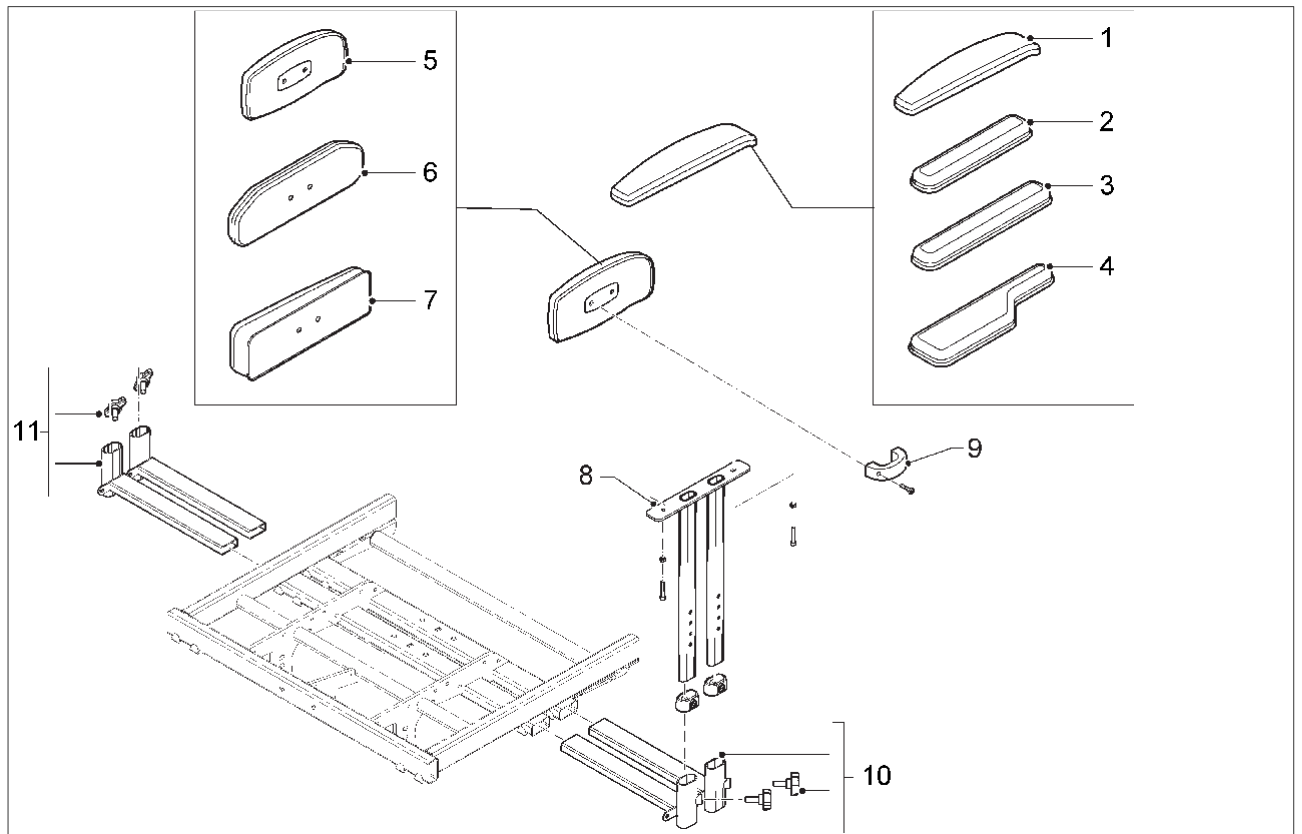




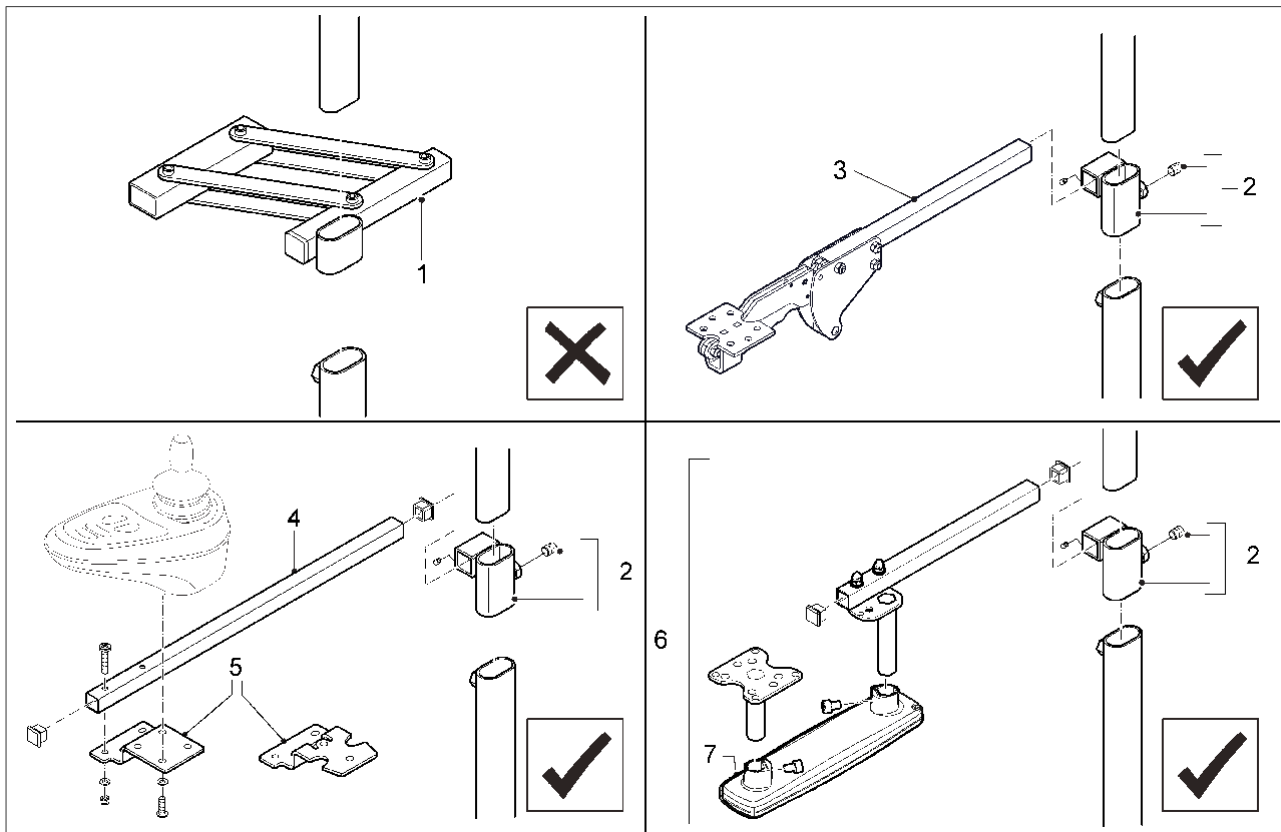
Pos.	Partno.	Description
1	3000359	Suspension Rubber Long 70 Shore, set of 2
2	9012361	Motor Arm Right, MWD, Dark Grey
2	9012360	Motor Arm Left, MWD, Dark Grey
3	3000361	Bearing clamping set
4	6000749	6 km/h Motor, Left (Heavy Duty)
4	6000750	6 km/h Motor, Right (Heavy Duty)
5	6002531	Motor carbon brush set, 5 mm
5	9002866	Motor brush set, Alex (4 brushes with covers)
6	6002195	Parallel Key 8x7x40
7	3000320	Drive wheel mounting set
8	3000336	Suspension rubber long, Normal, (55 °Shore), set of 2
9	3000433	Bridge Hinge Part Luca MWD
10	6002059	Bridge Luca MWD
11	6000226	Castor wheel 8", Puncture proof
12	3000578	Rear Fork, (Heavy Duty)



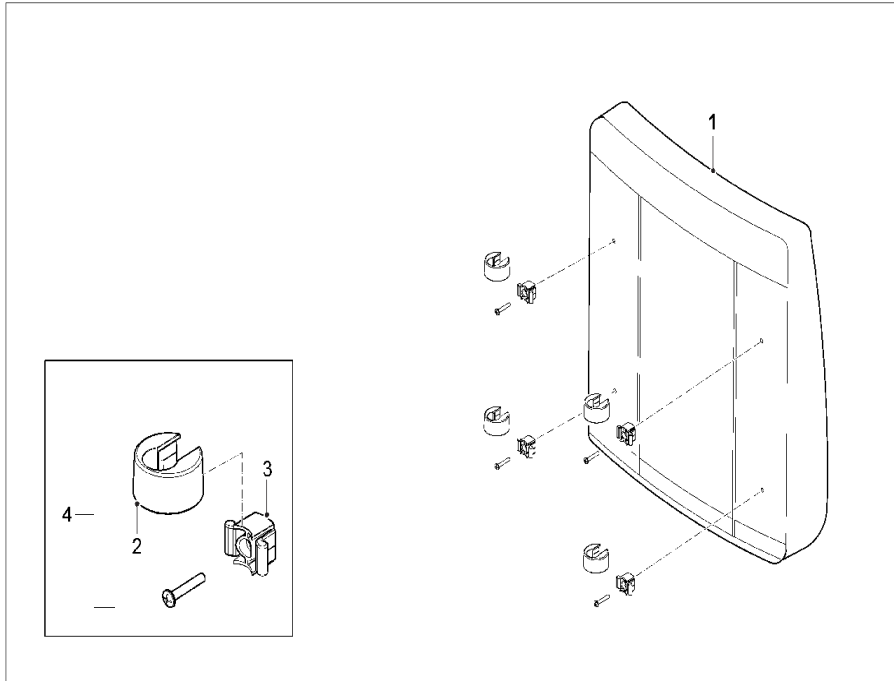
Drawing nr.	Description
002-01-LucaXL	Armrests
002-02-LucaXL	Joystick Bracket
002-03-LucaXL	Powered Backrest
002-04-LucaXL	Backrest, Mounting
002-05-LucaXL	Headrest - 01/02
002-06-LucaXL	Headrest - 02/02
002-07-LucaXL	Legrest Mounting
002-08-LucaXL	Legrest Comfort
002-09-LucaXL	Legrest Powered
002-10-LucaXL	Option (Seats)
002-11-LucaXL	Seating Powered system
002-12-LucaXL	Lights
002-13-LucaXL	Option (Mirror Mounting set)
002-14-LucaXL	Option (Crutchholder & Lap Strap)



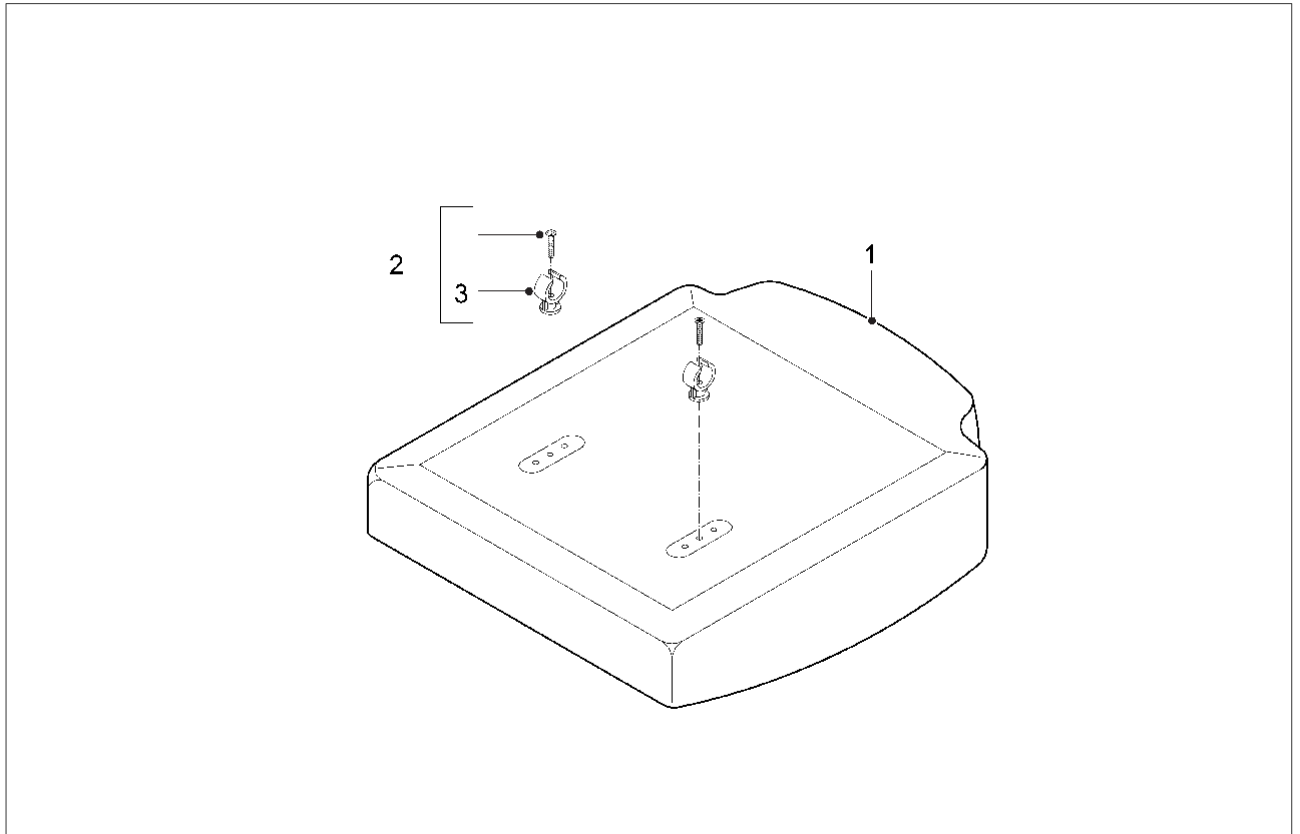
Pos.	Partno.	Description
1	3000168	Armpad PU, incl mounting set
2	3000173	Armpad Upholstered, 30 cm, incl. mounting set
3	3000174	Armpad Upholstered, 40 cm, incl. mounting set
4	3000175	Armpad Upholstered, P-shape Left, incl. mounting set
4	3000176	Armpad Upholstered, P-shape Right, incl. mounting set
5	3000169	PU Side Cushion, incl. mounting set
6	3000177	Side Cushion Upholstered, incl. mounting set
7	3000195	Wedge Side Cushion, incl. mounting set
8	3000580	Armrest Middle Part Standard, Luca XL
9	6000197	Side Cushion Mounting Block
10	3000581	Armrest socket, Left (Heavy Duty)
11	3000582	Armrest socket, Right (Heavy Duty)



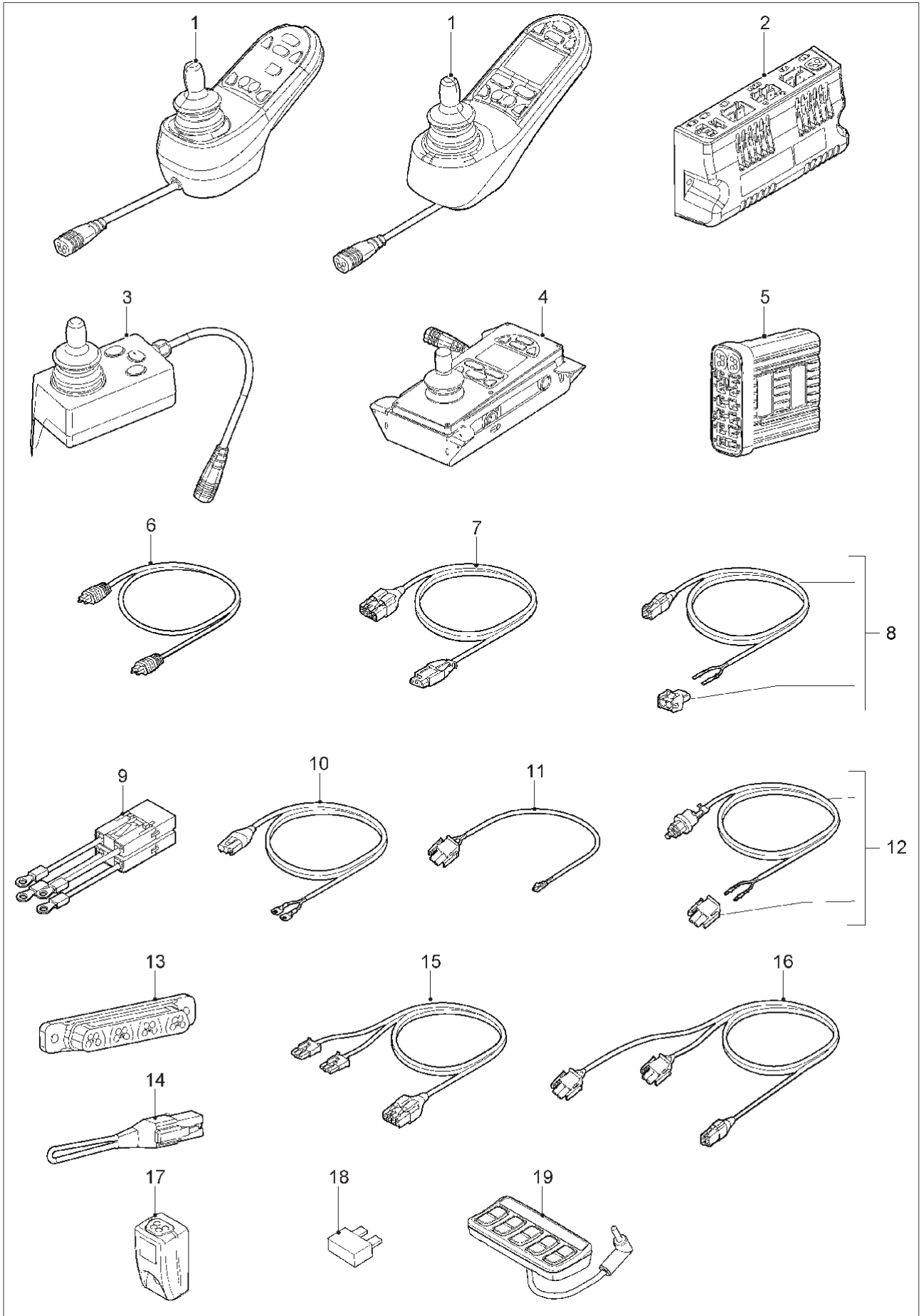
Pos.	Partno.	Description
1	05041.9123	Swingaway bracket with tube for remote, right hand side, Sedeo Original/Qlass/E-Qlass
1	165.00111.000	Swingaway bracket with tube for remote, left hand side, Sedeo Original/Qlass/E-Qlass
2	3000244	Socket Fixed, Remote/Mirror non joystick side
3	6001451	Flip down Jostick holder, Right, Qlass
3	6001583	Flip down holder jostick module, Left, Qlass
4	15040.0823	Tube
5	3000242	Joystick Mounting set Rnet/VR2
5	3000243	Joystick Mounting set DX2/Shark
6	6003392	Swing away remote holder complete RHS, Qlass/E-Qlass
6	6003507	Swing away remote holder complete LHS, Qlass/E-Qlass
7	1010951	Swing away remote holder, Sedeo Pro



Pos.	Partno.	Description
1	6002991	Profiled Back Rest 65x50 Pro Skin
1	6002993	Profiled Back Rest 65x57 Pro Skin
1	6002995	Profiled Back Rest 65x50 Q-Tone
1	6002997	Profiled Back Rest 65x57 Q-Tone
1	6002999	Webbed Back Rest 65x50
1	6003001	Webbed Back Rest 65x57
1	6003003	Support Back Rest 65x50 Stretch Rubber
1	6003005	Support Back Rest 65x57 Stretch Rubber
1	6003007	Support Back Rest 65x50 Q-Tone
1	6003009	Support Back Rest 65x57 Q-Tone
1	6002990	Profiled Back Rest 60x50 Pro Skin
1	6002992	Profiled Back Rest 60x57 Pro Skin
1	6002994	Profiled Back Rest 60x50 Q-Tone
1	6002996	Profiled Back Rest 60x57 Q-Tone
1	6002998	Webbed Back Rest 60x50 Q-Tone
1	6003000	Webbed Back Rest 60x57 Q-Tone
1	6003002	Support Back Rest 60x50 Stretch Rubber
1	6003004	Support Back Rest 60x57 Stretch Rubber
1	6003006	Support Back Rest 60x50 Q-Tone
1	6003008	Support Back Rest 60x5 Q-Tone
2	3000338	Q-Clip (Vol Disc, 1000 pcs, 250 chairs)
3	3000339	Q-Clip, Mounting Block (Vol Disc, 1000 pcs, 250 chairs)
4	3000039	Q-Clips, set total (set of 4)

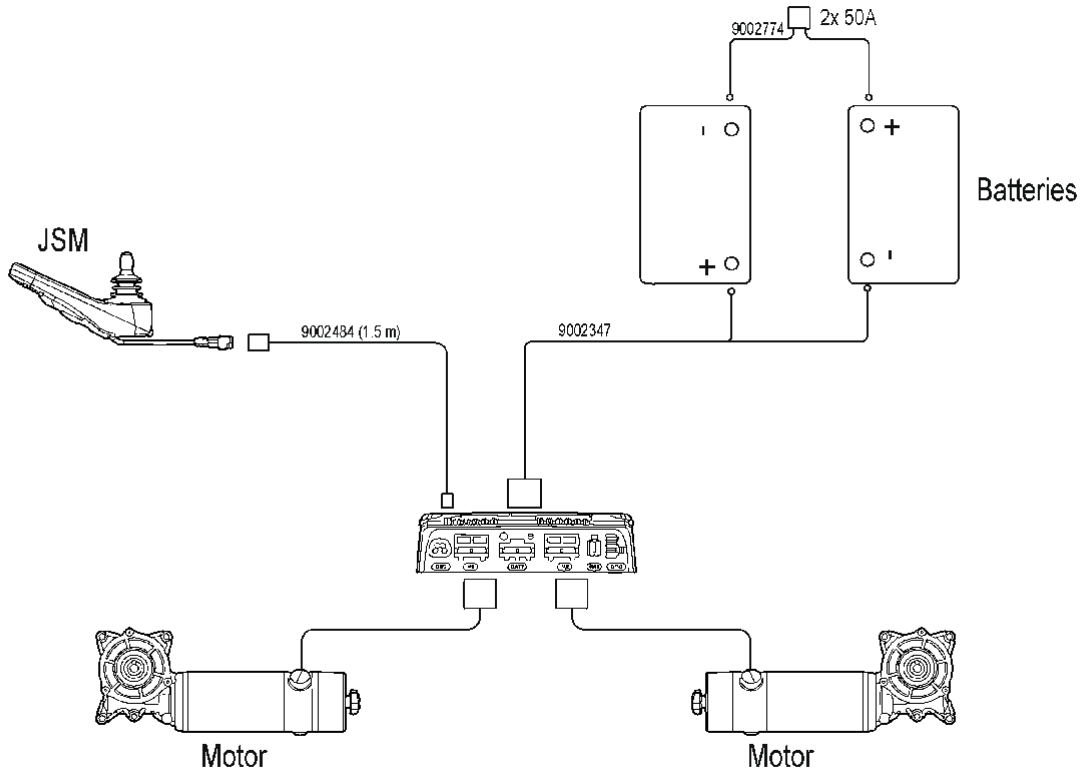


Pos.	Partno.	Description
1	6002979	Profiled Seat 65x55 Pro Skin
1	6002981	Profiled Seat 65x55 Q-Tone
1	6002983	Support Seat 65x55 Stretch Rubber
1	6002985	Support Seat 65x55 Q-Tone
1	6002987	Support Seat Visco / Memory foam seat 65x55 Stretch Rubber
1	6002989	Support Seat Visco / Memory foam seat 65x55 Q-Tone
1	6002978	Profiled Seat 60x55 Pro Skin
1	6002980	Profiled Seat 65x55 Q-Tone
1	6002982	Support Seat 60x55 Stretch Rubber
1	6002984	Support Seat 60x55 Q-Tone
1	6002986	Support Seat Visco / Memory foam seat 60x55 Stretch Rubber
1	6002988	Support Seat Visco / Memory foam seat 60x55 Q-Tone
2	3000041	Seat Cushion Mounting Set (set of 2),
3	3000340	Pipe Clamp DIA 22 Black (Vol Disc, 1000 pcs, 500 chairs)



1	6000356	R-NET remote LED
1	9002910	R-net Joystick Module Full Colour (D51553)
2	9002918	R-net Power Module 120A
3	9002468	R net dual attendant module
4	6002050	R-net Tray control
5	9002912	R-net ISM module 6 Actuators & Lights
6	9002579	R-net bus cable 0,5M
6	9002481	R-net bus cable 1,0M
6	9002482	R-net bus cable 2,0M
6	9002483	R-net bus cable 1,2M
6	9002484	R-net bus cable 1,5M
7	9002274	R-net lighting cable
8	9002919	PGDT actuator cable 1,2M
8	9002920	PG actuator cable 0,5M
8	9002921	PG actuator cable 2,05M
8	9002922	PG actuator cable 1,55M
9	6002134	Fuse Cable 100 A (M8)
10	6002135	PGDT Battery Cable (M8)
11	9002615	Actuator cable electrical back rest, Alex
12	9002923	Legrest cable
13	9002479	R net 4-way connector block
14	9003671	R-Net Speed limiter bridge
15	6000217	Lighting harness PGDT RNet
16	6000637	Inhibit Loom Lift-Tilt R-Net
16	6000880	Inhibit Harness R-Net Advanced
17	1017476	R-net Gyro module
18	6002797	Maxi Blade Fuse, 70 A
19	1016970	R-net direct access keypad joystick side
19	1016973	R-net direct access keypad not joystick side
-	19052	Joystick knob mushroom
-	19063	Joystick knob T-shaped
-	19065	Joystick knob chin control
-	19054	Joystick knob ball 32 mm
-	19032	Joystick knob foam ball

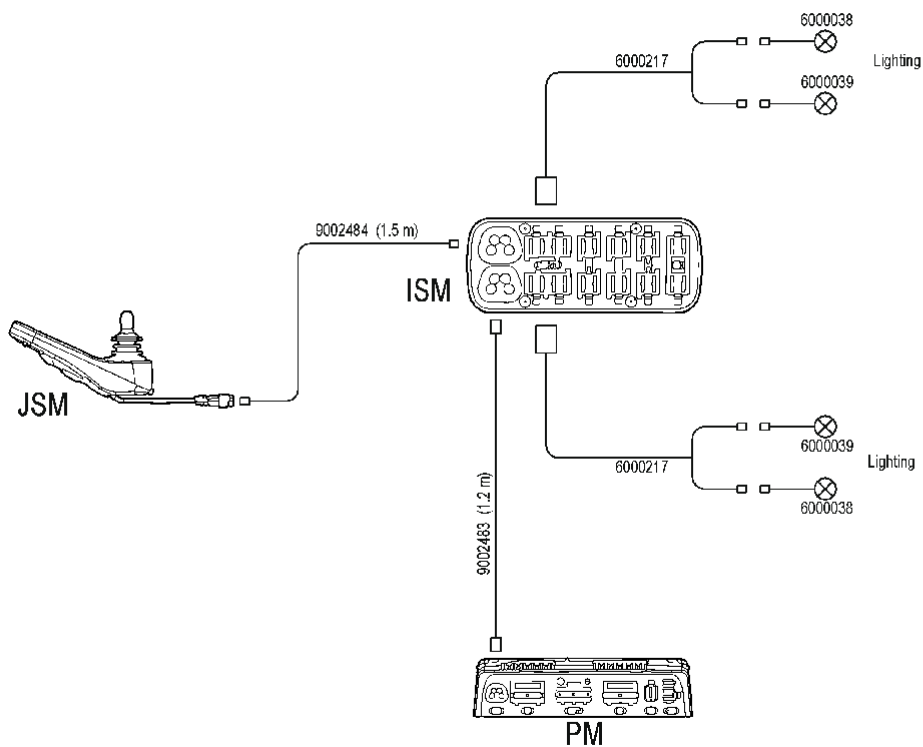
R-Net Battery & Motor connections (Drive only)



Cable lengths are not drawn to scale!

R-Net 1

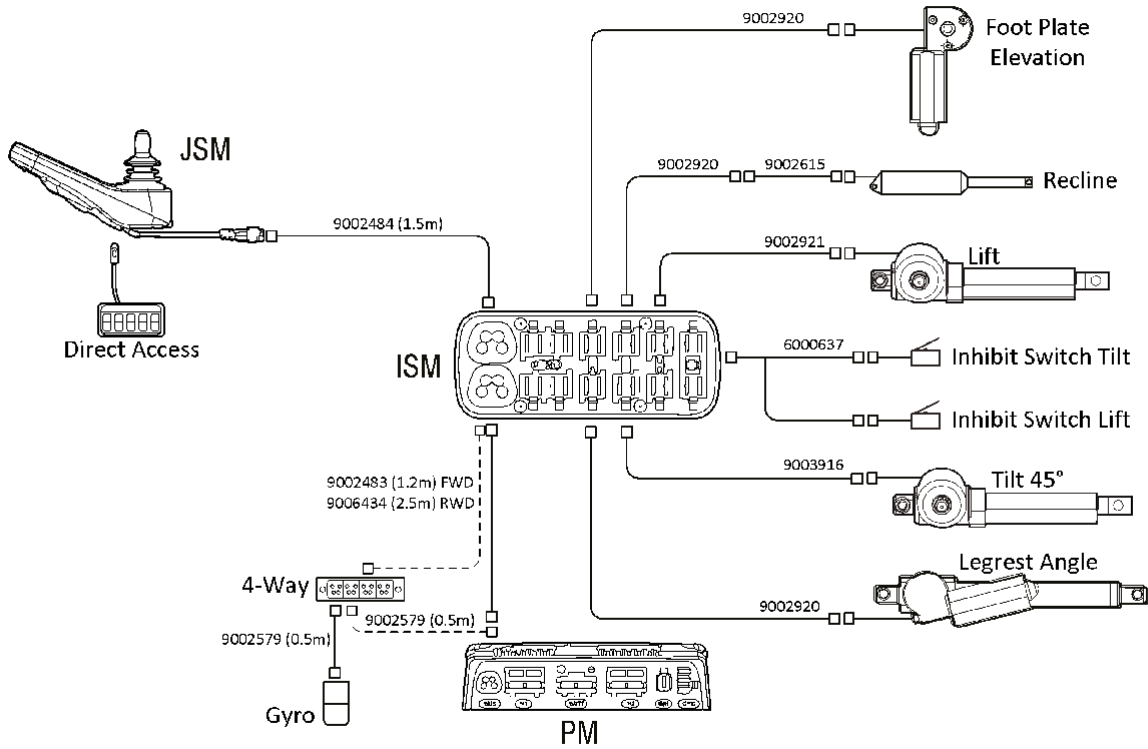
R-Net Drive & Lights



Cable lengths are not drawn to scale!

R-Net 2

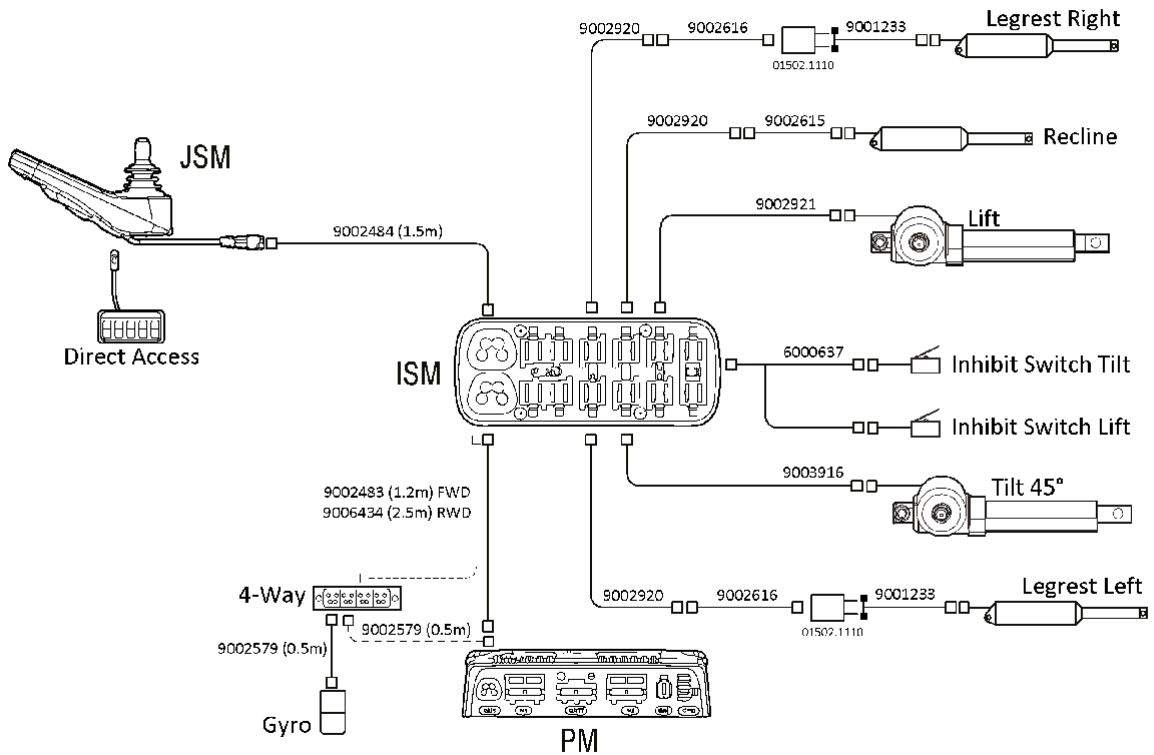
R-Net Tilt45, Recline, Powered Central Legrest & Lift (lights optional)



Cable lengths are not drawn to scale!

R-Net 3

R-Net Tilt45, Recline, Legrests & Lift (Lights optional)



Cable lengths are not drawn to scale!

R-Net 4

